

Aluminum Electrolytic Capacitors

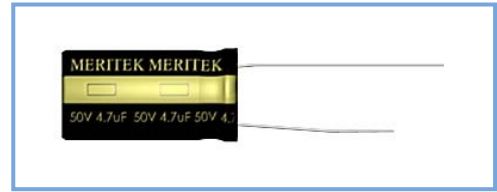


REZ Series
(Long Life, Low Impedance)

MERITEK

FEATURES

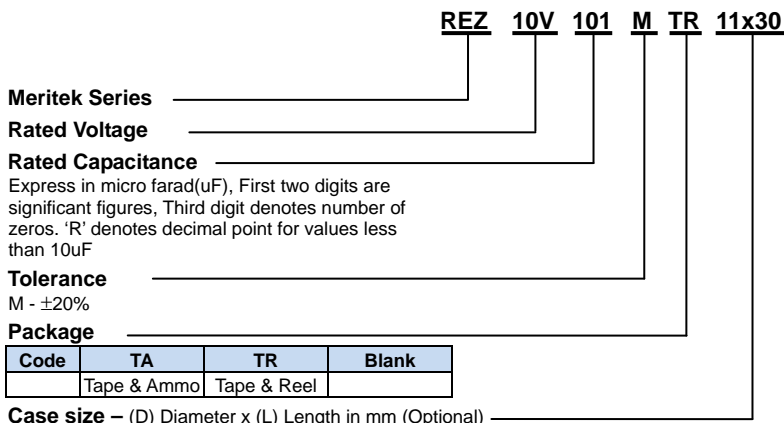
- Low impedance, long life and high reliability with standing 5000 hours load life.
- Suitable for electronic ballast, adaptor and switching power



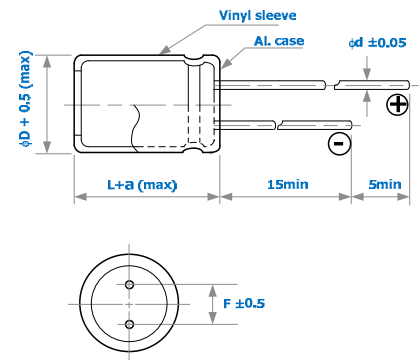
SPECIFICATIONS

Item	Characteristic							
Operating Temp Range	- 55 ~ +105°C							
Rated Working Voltage	6.3 ~ 63VDC							
Capacitance Tolerance (120Hz 20°C)	± 20%(M)							
Leakage Current (20°C)	I ≤ 0.01CV or 3 (uA) * Whichever is greater after 2 minutes				I : Leakage Current (μA) C : Rated Capacitance(μF) V : Working Voltage (V)			
Surge Voltage (20°C)	W.V.	6.3	10	16	25	35	50	63
	S.V.	8	13	20	32	44	63	79
Dissipation Factor (tan δ) (120Hz 20°C)	add 0.02 per 1000uF for more than 1000uF							
	W.V.	6.3	10	16	25	35	50	63
	tan δ	0.22	0.19	0.16	0.14	0.12	0.10	0.09
Low Temperature Stability	Impedance ratio at 120Hz							
	Rated Voltage (V)	6.3	10	16	25	35	50	63
	-25°C / +20°C	2	2	2	2	2	2	2
	-55°C / +20°C	3	3	3	3	3	3	3
Load Life	After hours (φ5~6.3mm 2000hrs, φ8mm 3000hrs, φD ≥10mm 5000hrs) application of W.V. and +105°C ripple current value , the capacitor shall meet the following limits. (DC + ripple peak voltage ≤ rated working voltage)							
	Capacitance Change	≤ ±20% of initial value.						
	Dissipation Factor	≤ 200% of initial specified value						
	Leakage Current	≤ initial specified value						
Shelf Life	At +105°C no voltage application after 1000 hours the capacitor shall meet the following limits. (with voltage treatment)							
	Capacitance Change	≤ ±20% of initial value.						
	Dissipation Factor	≤ 150% of initial specified value						
	Leakage Current	≤ 200% of initial specified value						

PART NUMBER SYSTEM



DIMENSIONS (mm)



φD	5	6.3	8	10	12.5	16	18
F	2.0	2.5	3.5	5.0	5.0	7.5	7.5
d	0.5	0.5	0.6	0.6	0.6	0.8	0.8
a	1.5	1.5	1.5	1.5	1.5	1.5	1.5

Aluminum Electrolytic Capacitors



REZ Series
(Long Life, Low Impedance)

MERITEK

RIPPLE CURRENT COEFFICIENTS

Frequency(Hz)	60	120	400	1k	10k	100k
W.V.	Multiplier					
6.3~16V	0.45	0.60	0.83	0.94	0.98	1.00
25~35V	0.38	0.50	0.75	0.90	0.97	1.00
50~63V	0.36	0.46	0.70	0.88	0.94	1.00

Temperature(°C)	65	75	85	95	105
Multiplier	2.12	1.92	1.69	1.50	1.00

CASE SIZE & MAX RIPPLE CURRENT

Case size : DxL (mm)
 Max. impedance : Ω 100kHz
 Max. ripple current : A(rms) 105°C 100kHz

Cap. (uF)	V	6.3				10				16				
		Item	DxL	IMP		R.C.	DxL	IMP		R.C.	DxL	IMP		R.C.
				20°C	-10°C			20°C	-10°C			20°C	-10°C	
47										5x11	0.568	1.421	0.17	
68										5x11	0.500	1.250	0.21	
100						5x11	0.500	1.250	0.24	6.3x11	0.367	0.918	0.29	
220		6.3x11	0.308	0.769	0.39	6.3x11	0.249	0.623	0.41	8x11.5	0.190	0.474	0.52	
330		6.3x11	0.246	0.615	0.48	8x11.5	0.169	0.423	0.61	10x12.5	0.114	0.285	0.75	
470		8x11.5	0.178	0.446	0.70	8x11.5	0.139	0.346	0.73	10x12.5	0.093	0.233	0.90	
680		10x12.5	0.081	0.203	1.00	10x12.5	0.077	0.194	1.03	10x16	0.074	0.184	1.20	
1000		8x20	0.066	0.166	1.31	10x16	0.063	0.158	1.39	10x20	0.060	0.150	1.60	
1200		10x16	0.058	0.144	1.47	10x20	0.055	0.137	1.68	10x25	0.052	0.130	1.94	
1500		10x20	0.049	0.123	1.75	10x25	0.047	0.116	2.01	12.5x20	0.044	0.111	2.13	
2200		10x25	0.038	0.094	2.27	12.5x20	0.036	0.090	2.41	12.5x25	0.034	0.086	2.75	
3300		12.5x20	0.032	0.079	2.69	12.5x25	0.030	0.075	3.05	16x25	0.029	0.057	3.14	
4700		12.5x30	0.027	0.067	3.56	16x25	0.025	0.051	3.35	16x31.5	0.024	0.048	3.24	
6800		16x25	0.024	0.048	3.61	16x31.5	0.023	0.045	3.46	18x35.5	0.022	0.043	3.75	
10000		16x31.5	0.022	0.043	3.64	18x35.5	0.021	0.041	3.92	18x40	0.019	0.039	4.20	
15000		18x35.5	0.020	0.041	4.12	18x40	0.019	0.039	4.40					

Cap. (uF)	V	25				35				
		Item	DxL	IMP		R.C.	DxL	IMP		R.C.
				20°C	-10°C			20°C	-10°C	
4.7						5x11	1.912	4.781	0.08	
10						5x11	1.498	3.745	0.11	
22						5x11	0.817	2.043	0.16	
33						5x11	0.636	1.589	0.20	
47		5x11	0.539	1.348	0.22	6.3x11	0.510	1.275	0.27	
68		6.3x11	0.419	1.049	0.30	6.3x11	0.397	0.991	0.33	
100		6.3x11	0.349	0.871	0.36	8x11.5	0.330	0.824	0.49	
220		8x11.5	0.180	0.450	0.65	10x12.5	0.128	0.319	0.85	
330		10x12.5	0.108	0.270	0.94	10x16	0.102	0.255	1.15	
470		10x16	0.088	0.221	1.25	10x20	0.084	0.209	1.52	
680		10x20	0.070	0.175	1.65	12.5x20	0.066	0.165	2.07	
1000		12.5x20	0.057	0.143	2.27	12.5x25	0.054	0.135	2.77	
1200		12.5x20	0.050	0.124	2.49	12.5x30	0.047	0.117	3.29	
1500		12.5x25	0.042	0.105	2.94	16x25	0.040	0.079	3.32	
2200		16x25	0.032	0.065	3.42	16x31.5	0.031	0.077	3.49	
3300		16x31.5	0.027	0.054	3.66	18x35.5	0.026	0.064	4.17	
4700		18x35.5	0.023	0.046	4.23					

Aluminum Electrolytic Capacitors



REZ Series
(Long Life, Low Impedance)

MERITEK

CASE SIZE & MAX RIPPLE CURRENT

Case size : DxL (mm)
 Max. impedance : Ω 100kHz
 Max. ripple current : A(rms) 105°C 100kHz

Cap. (μ F)	V	50				63				
		Item	DxL	IMP		R.C.	DxL	IMP		R.C.
				20°C	-10°C			20°C	-10°C	
4.7		5x11	1.699	5.096	0.09	5x11	1.699	5.096	0.09	
10		5x11	1.331	3.992	0.13	5x11	1.331	3.992	0.13	
22		5x11	0.726	2.177	0.19	6.3x11	0.726	1.814	0.22	
33		6.3x11	0.564	1.411	0.26	6.3x15	0.564	1.411	0.30	
47		6.3x11	0.453	1.132	0.31	8x11.5	0.453	1.132	0.38	
68		8x11.5	0.352	0.880	0.46	10x12.5	0.264	0.660	0.54	
100		8x20	0.220	0.549	0.71	10x16	0.220	0.549	0.73	
220		10x16	0.113	0.283	1.09	10x25	0.113	0.283	1.33	
330		10x20	0.091	0.227	1.47	12.5x20	0.091	0.227	1.66	
470		12.5x20	0.074	0.186	1.99	12.5x25	0.074	0.186	2.19	
680		12.5x25	0.059	0.147	2.63	16x25	0.059	0.117	2.63	
1000		16x25	0.048	0.096	3.19	16x35.5	0.048	0.096	3.17	
1200		16x31.5	0.042	0.083	3.29	18x35.5	0.042	0.083	3.48	
1500		16x35.5	0.035	0.071	3.44	18x40	0.035	0.071	3.87	
2200		18x35.5	0.027	0.055	4.20					
3300		18x40	0.023	0.046	4.97					